



## MATRIX ECO & ELITE, BALLAST ROOF MOUNT SOLUTION

The Matrix ECO & ELITE flat roof mount streamlines solar installations with its innovative design and superior engineering. Made from 100% aluminum, this lightweight and recyclable solution delivers exceptional performance for both residential and commercial projects.

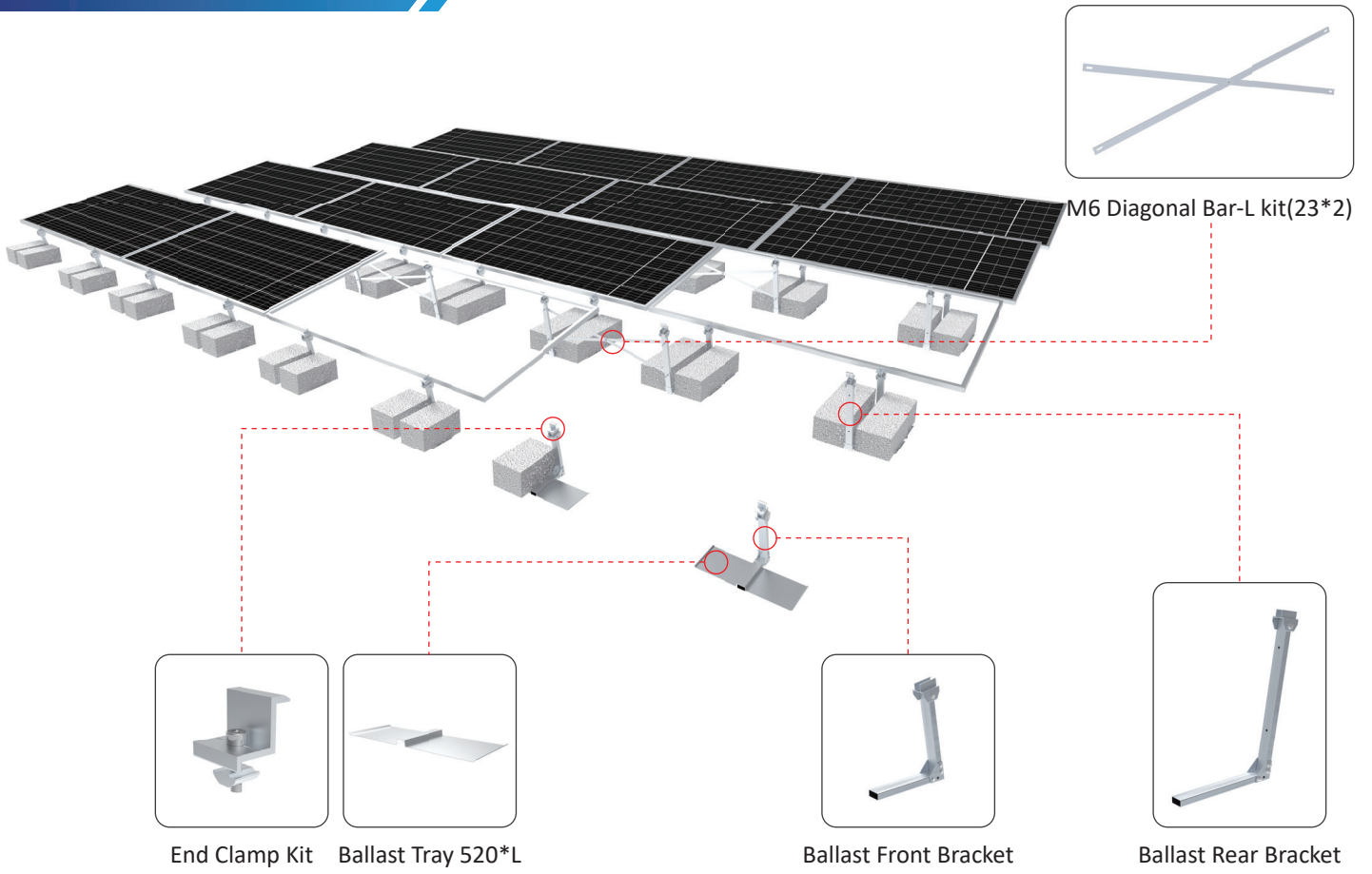
Its streamlined design enables rapid deployment, reducing installation time and labor costs. The ballast roof mount technology ensures no roof penetration, maintaining structural integrity while providing maximum stability.

Efficient construction simplifies distribution and installation, making it suitable for new projects and retrofits alike. This advanced system merges sustainability with high performance, offering an eco-friendly option for renewable energy infrastructure.

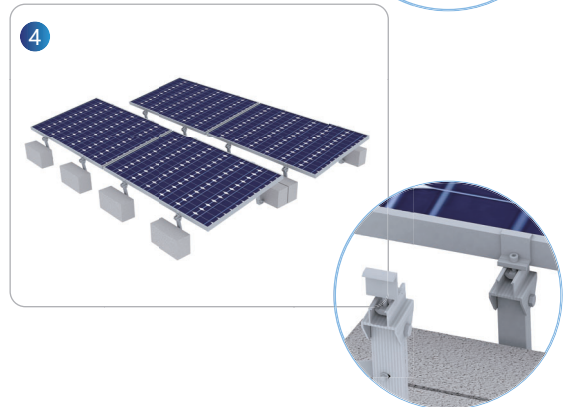
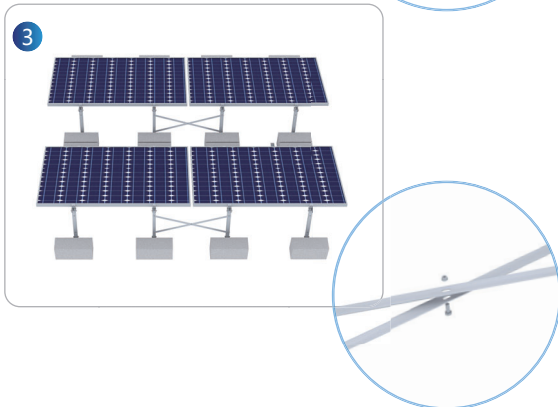
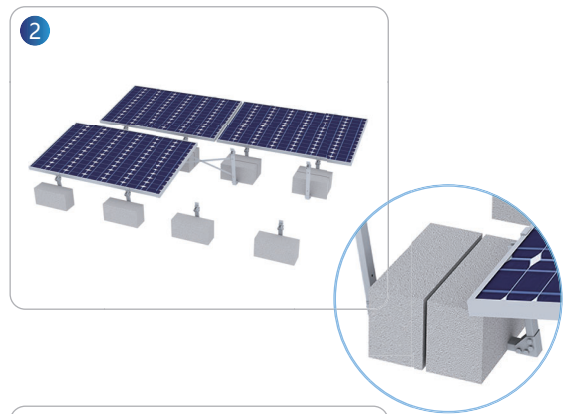
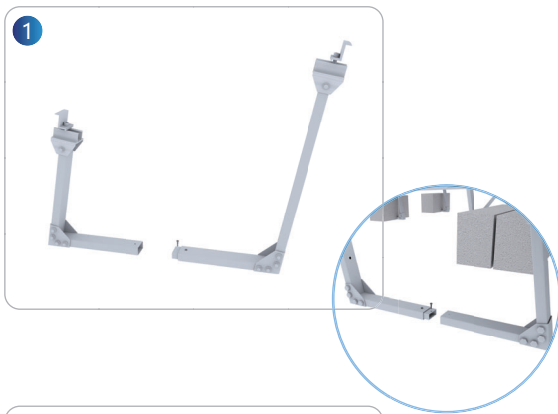
## TECHNICAL PARAMETER

Application	Flat Roof		
Component Material	AL 6005-T5/SUS304	Seismic Load	Lateral Seismic Factor: $K_p=1$ ; Seismic Coefficient: $Z=1$ ; Use Coefficient: $I=1$
Surface Treatment	Average Anodizing Coating Thickness 10 $\mu$ m		
Panel Type	Framed & Frameless	Standards	JIS C 8955 : 2017 ; AS/NZS 1170; DIN1055; ASCE/SEI 7-05; International Building Code: IBC 2009
Wind Load	$\leq 45$ m/s		
Snow Load	1.5KN/m <sup>2</sup>		
Panel Orientation	Landscape	Warranty	10 Years Quality Warranty, 25 Years Life Span Warranty
Installation Angle	0°~45°		

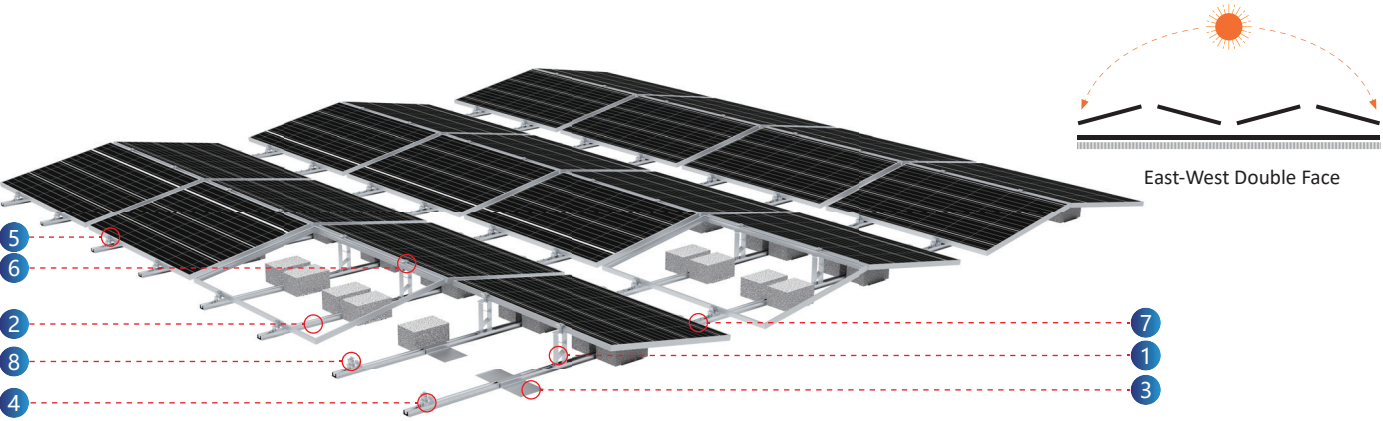
# MATRIX ECO



## INSTALLATION STEPS



> MATRIX ELITE BALLAST MOUNTING



> MATRIX ELITE BALLAST MOUNTING

